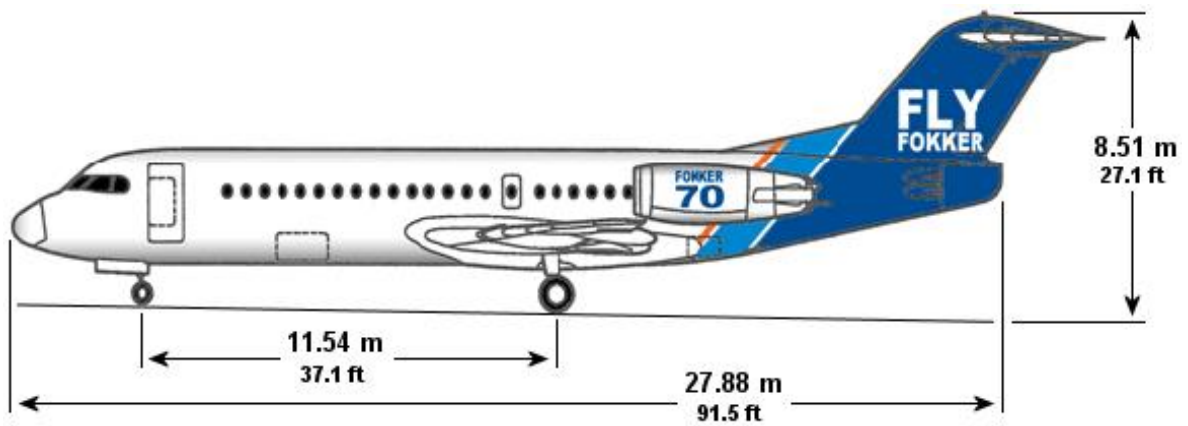
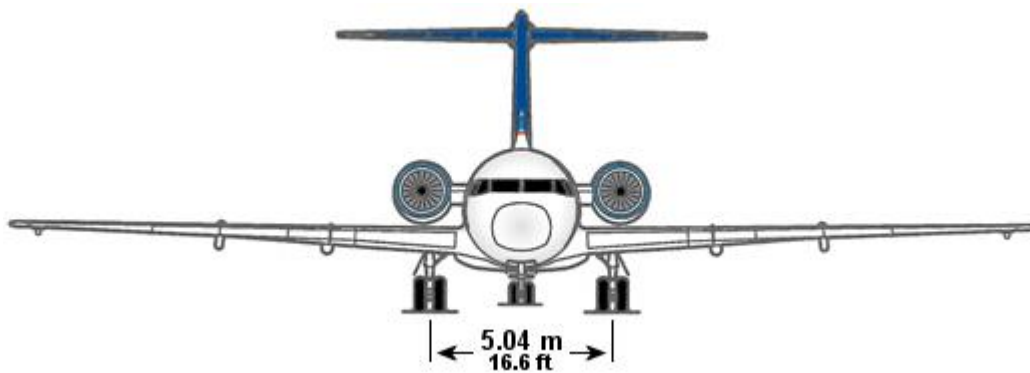
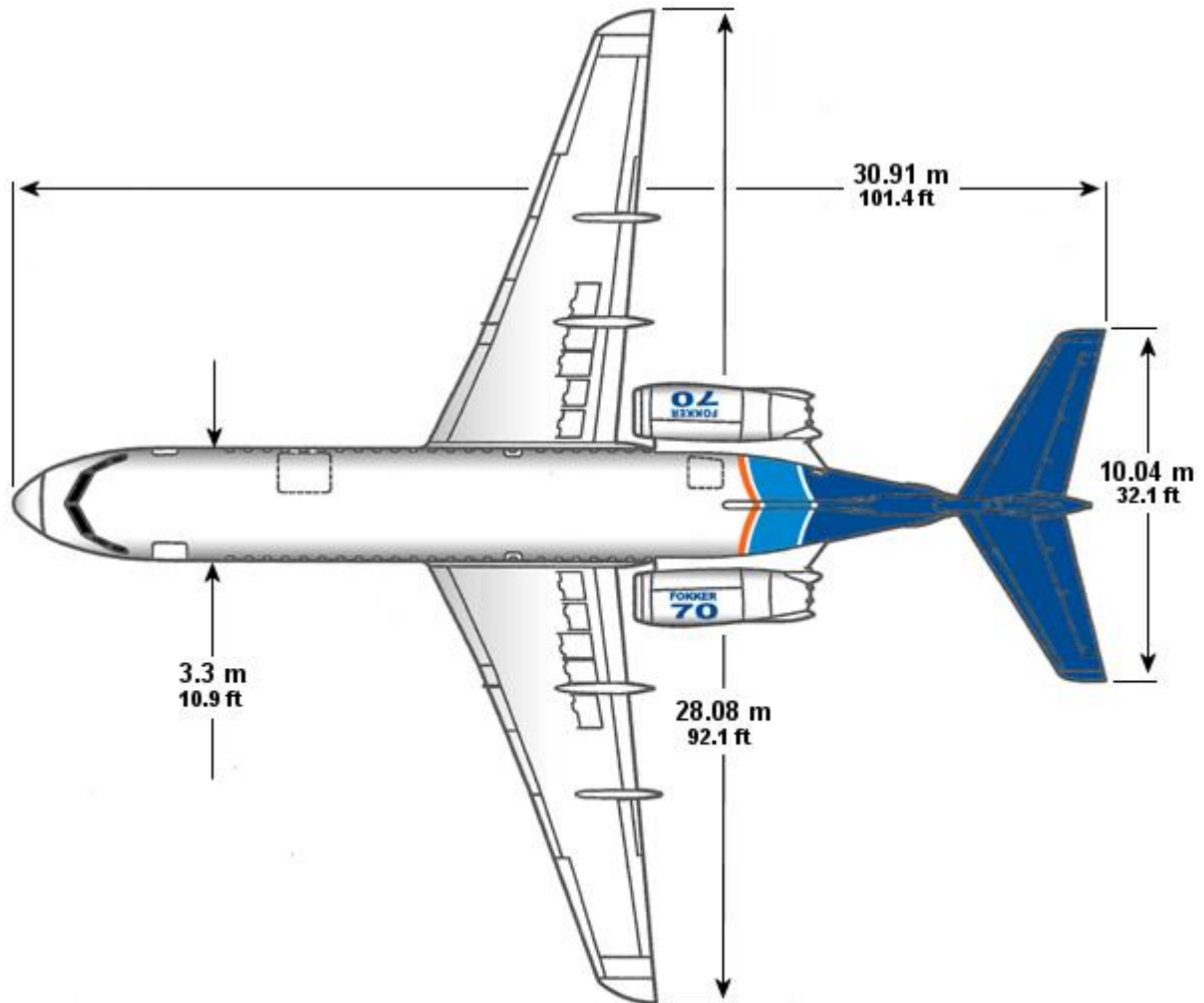


Fokker 70 - Basics



Fokker 70 - Basics



Fokker 70 - Basics

Dimensions and areas		
Overall length	30.91 m	101.5 ft
Overall height	8.51 m	27.11 ft
Fuselage length	27.88 m	91.6 ft
Fuselage external diameter	3.30 m	10.10 ft
Wing area	93.50 m ²	1006.46 ft ²
Wing span	28.08 m	92.1 ft
Gear track	5.04 m	16.6 ft
Main entrance door (h x w)	1.92 x 0.86 m	6.4 x 2.9 ft
Forward cargo door (h x w)	1.45 x 1.40 m	4.9 x 4.7 ft
Forward compartment volume	8.15 m ³	288 ft ³
Aft cargo door (h x w)	1.22 x 0.97 m	4.0 x 3.2 ft
Aft compartment volume	4.63 m ³	163 ft ³
Service/emergency door	1.30 x 0.63 m	4.3 x 2.1 ft

The Fokker 70 is available with four MTOWs, allowing a maximum range with a full passenger payload of approximately 1800 NM. The lower MTOWs enable the operator to take advantage of lower weight-related navigation fees and landing charges.

Weights		
MTOW	41,730 kg	92,000 lb
MLW	36,740 kg	81,000 lb
MZFW	33,565 kg	74,000 lb
Fuel capacity	10,731 kg	23,660 lb

Note: Lower MTOW options are available